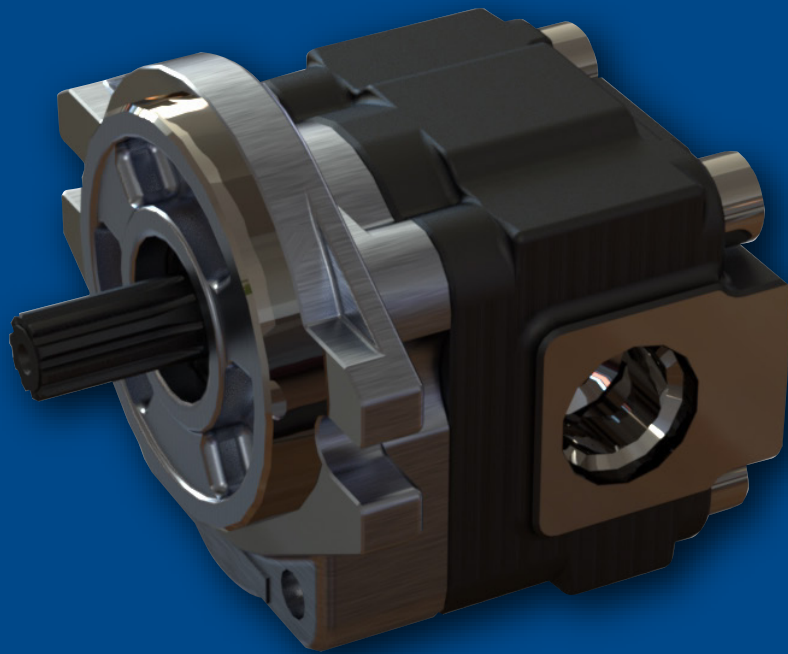


# NACHI

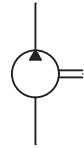
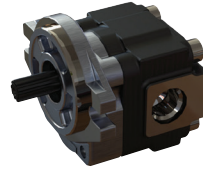
---

## NASGP EXTERNAL GEAR PUMP



NACHI AMERICA INC.

# NACHI

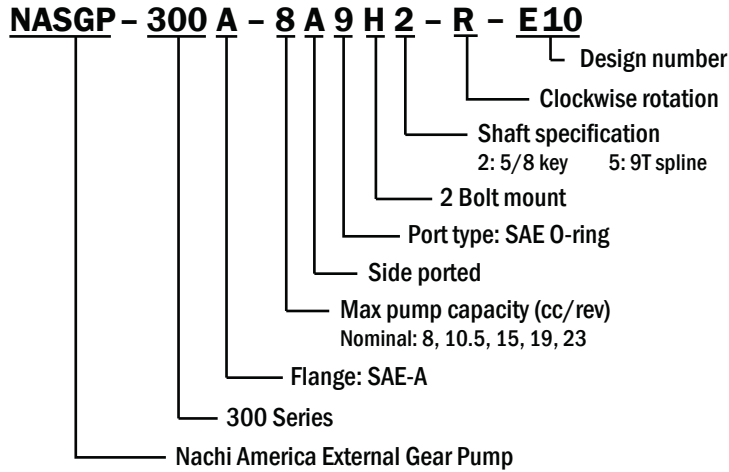


**NASGP External Gear Pump**

**.48 to 1.40 cu in/rev  
3600 psi**

## Model Code

### How to Order



Note: 1. Note that there are certain restrictions on pump capacity and motor capacity combinations.  
2. Design numbers are subject to change without notice.

Model No.	Pump Capacity (cc/rev)	Pump Capacity (Cu-in/rev)	Flow Rate @ 1800 rpm (GPM)	Rated Pressure	Maximum Pressure (Psi)	Speed (Rpm)	Weight (Lbs)
NASGP300-A8-A9H2-R-E10	8.00	0.48	3.8	3,600	4,200	500 - 3500	8
NASGP300-A10.5-A9H2-R-E10	10.4	0.63	4.95				8.36
NASGP300-A15-A9H2-R-E10	14.8	0.90	7.04				8.8
NASGP300-A19-A9H2-R-E10	19.2	1.17	9.13				9.24
NASGP300-A23-A9H2-R-E10	22.9	1.40	10.89				9.68

Note: Direction of rotation is clockwise when viewed from the shaft end.

## PVS Coupling and Adapter Sets

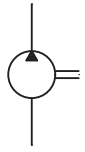
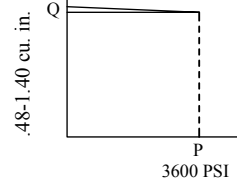
	Front pump	Rear pump (Keyed)	Coupling	Adapter
NACHI part number	PVS 0B or PVS 1B Series	NASGP Series	EZSP-0050-003	(SAE A) EZSP-0050-001
	PVS-2B Series		EZSP-0051-002	(SAE A) EZSP-0051-001

\*Adapter Set can be used to couple Nachi PVS-0B, 1B or 2B Series Piston Pumps with our NASGP Series Gear Pump

# NACHI

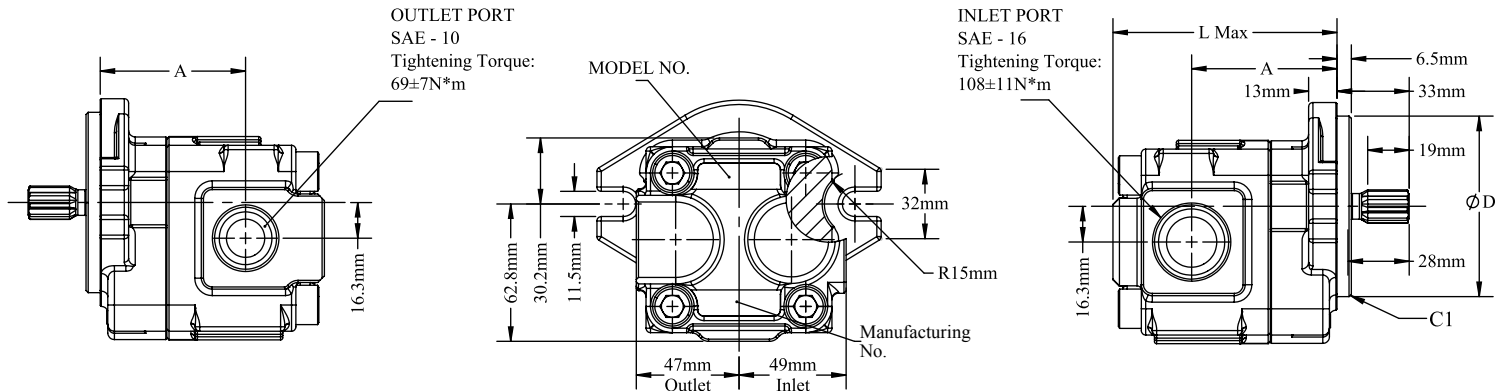
## NASGP External Gear Pump

**.48 to 1.40 cu in/rev**  
**3600 psi**

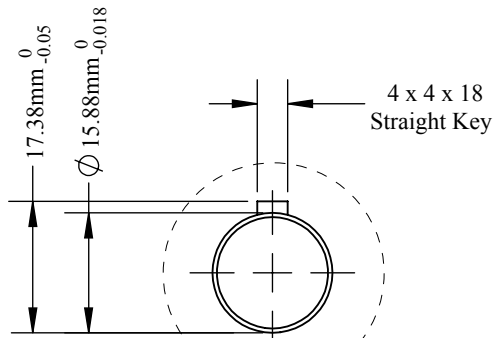
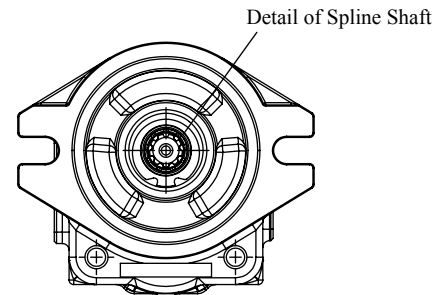
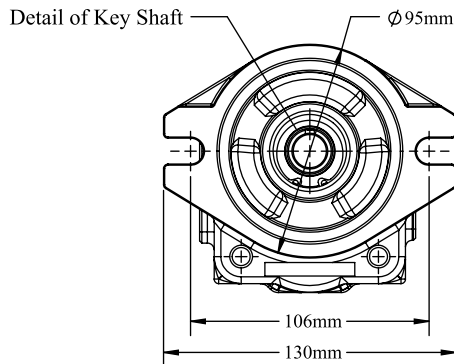


Size	Displacement cc	A	L	ØD
NASGP300-8	8.0	54.8	93.3	Ø82.55 <sup>0</sup> / <sub>-0.05</sub>
10.5	10.4	58.0	96.5	
15	14.8	64.0	102.5	
19	19.2	70.0	108.5	
23	22.9	75.0	113.5	

Specification	
Rated Pressure	3600 PSI / 25 MPa
Max Surge Pressure	4200 PSI / 30 MPa
RPM	500~3500 RPM
Suction Pressure	-3~15 PSI / -.02~.1 MPa
Weight	9.26 lbs

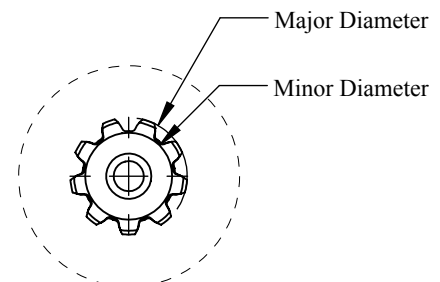


### CUTOUT VIEW



Detail of Key Shaft

SCALE 1 : 1



Detail of Spline Shaft

SAE J498b Involute Spline Data (Some dimensions are different from SAE Standard)			
No. of Teeth	9	Minor Diameter	Ø11.9 MAX
Diametrical Pitch	16/32	Over Pin Diameter	18.427 18.358
Pressure Angle	30°	Pin Diameter	Ø3.048
Major Diameter	Ø15.456 Ø15.329	Flat Root Side Fit	



---

**Nachi America Inc.**

715 Pushville Rd, Greenwood, IN 46143  
Tel. (800) 622-4410 Fax. (317) 530-1015  
Email: [hydraulics@nachi-america.com](mailto:hydraulics@nachi-america.com)  
[www.nachi-america.com](http://www.nachi-america.com)